

ZK 500 HE

Technical details

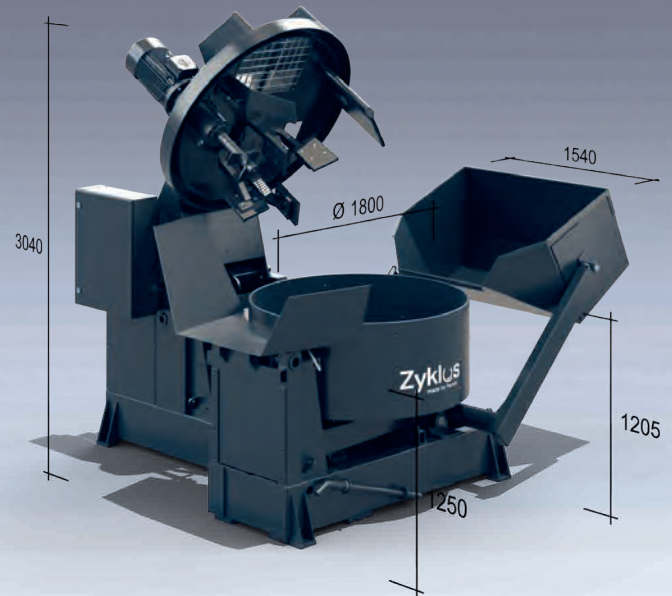
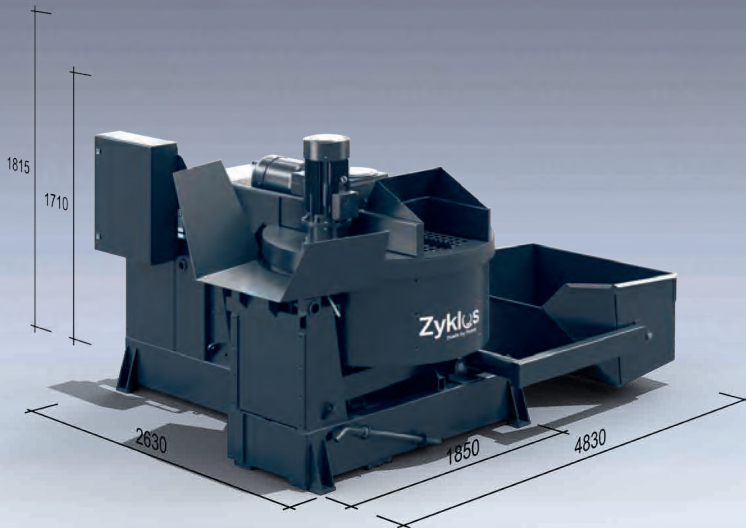
Zyklus
made by Pemat



ZK 500 HE

Zyklus Rotating Pan Mixer

Zyklus
made by Pemat



ZK 500 HE

Zyklus Rotating Pan Mixer from Pemat

Technical details

Batch capacity (standard concrete) ready-mix approx. l	500
Dry Filling (max.) approx. l / kg	865 / 800
Mixing pan diameter mm	1.704
Mixing pan design	hydraulically tiltable
Tilting arm design	hydraulically
Skip design	hydraulically
Power mixing star kW	15
Power hydraulic kW	7,5
Power mixing pan kW	5,5
Power tiltable mixing pan kW	–
Pneumatic	–
Voltage V	400
Frequency Hz	50
Weight approx. kg	4.250