

ZZ 30 HE

Technical details

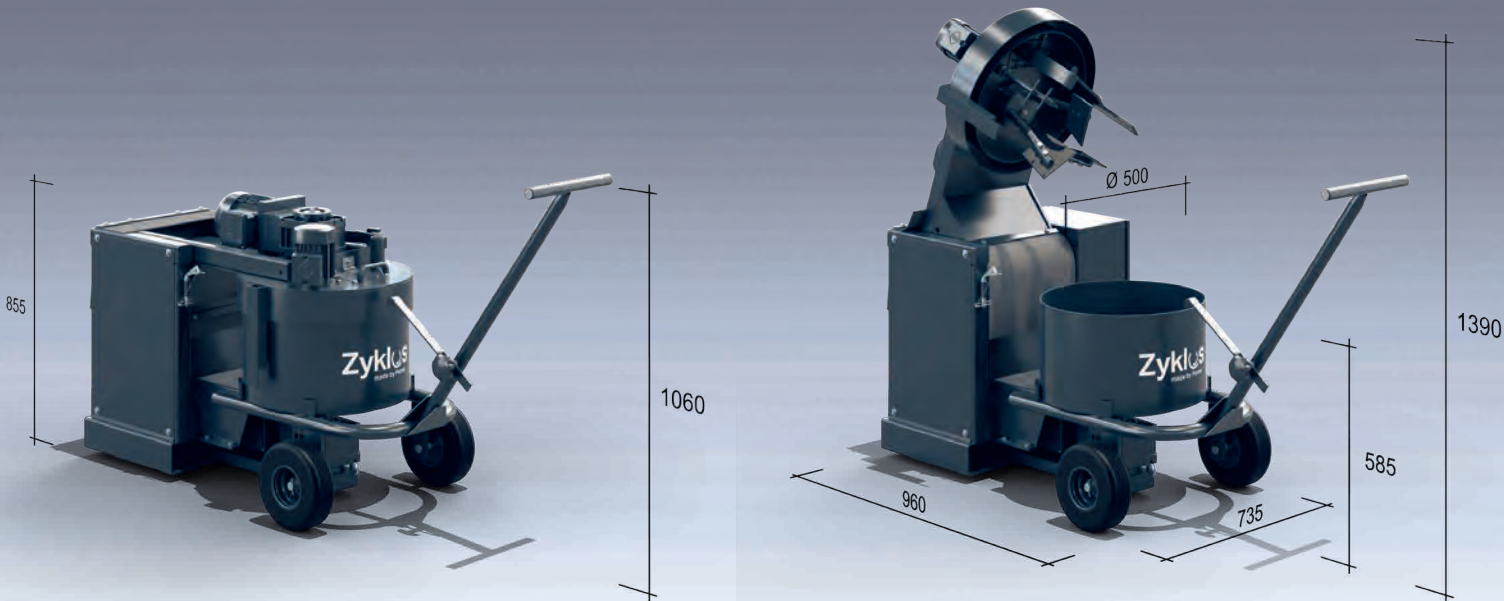
Zyklus
made by Pemat



ZZ 30 HE

Zyklus Rotating Pan Mixer

Zyklus
made by Pemat



ZZ 30 HE

Zyklus Rotating Pan Mixer from Pemat

Technical details

Batch capacity (standard concrete) ready-mix approx. l	30
Dry Filling (max.) approx. l / kg	38 / 50
Mixing pan diameter mm	500
Mixing pan design	mobile
Tilting arm design	hydraulically
Skip design	–
Power mixing star kW	1,5
Power hydraulic kW	1,1
Power mixing pan kW	0,75
Power tiltable mixing pan kW	–
Pneumatic	–
Voltage V	400
Frequency Hz	50
Weight approx. kg	350