

XX
NON-OVERLAP

TS78



The TS78 is our most popular ride-on power trowel. It is a mid-sized ride-on with a proven track record of efficiency and durability. Bartell Morrison's TS78 is a truly versatile machine which meets the needs of the professional floor finisher.

Features

- ✓ Twin stick, multi-directional levers deliver immediate, responsive steering.
- ✓ Dual mode non overlapping blades provide a consistently smooth finish while clip-on float discs or disc pan floats can be attached for superior float operations.
- ✓ 'U' joint couplings furnish reliable drive shaft torque.
- ✓ Precision machined, tight tolerance spider plate assemblies provide exceptional balance and long life.
- ✓ High speed for superior finishing.
- ✓ Proven Bartell gearboxes for long life and low maintenance.
- ✓ Standard light kit and seat adjuster features.

Ride-On Power Trowel

TS78

XX
NON-OVERLAP

Options

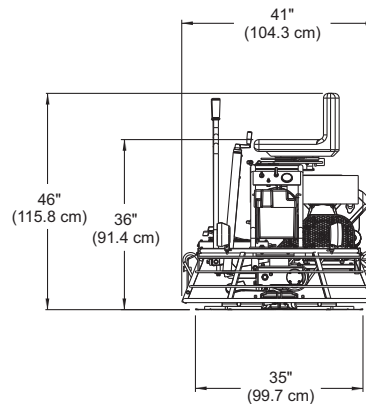
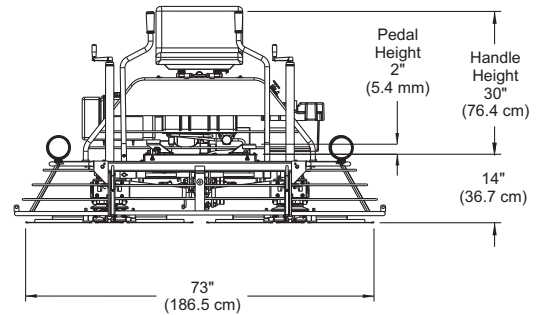
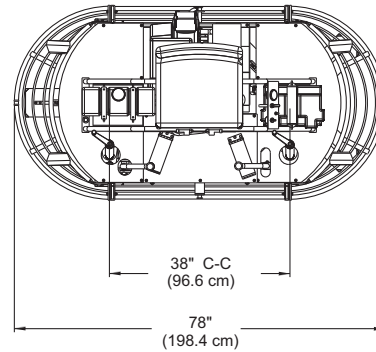
- ✓ Factory installed Retardant Spray System.
- ✓ Job site transporter.
- ✓ Combination blades in lieu of finishing blades.
- ✓ Clip on float blades or disc float pans.
- ✓ Choice of power options: 20hp Honda, 20hp Kohler, or 25hp Kohler.

Performance Characteristics

Trowel RPM (maximum)	165 rpm
Trowel RPM (normal)	135-150 rpm
Travel speed (maximum)	380 ft/min (116 m/min)
Engine	20HP, electric start, air cooled V-twin
Fuel capacity	3 gal (11.4L)
Est. Running Time	3 hours
Weight (dry)	620 lbs (282 kg)
Weight (operating)	635 lbs (289 kg)
Sound power	105DbA
Vibration	<2.5m/s ²



Dimensions



For more information, product demonstration, or details on purchase, lease and rental plans, please contact your local BMI Dealer.

BARTELL MORRISON INC.

31 Sun Pac Blvd., Brampton, ON Canada L6S 5P6
Tel 866-501-1683 • Local 905-458-5455 • Fax 905-458-5484
www.bartellmorrison.com • sales@bartellmorrison.com

