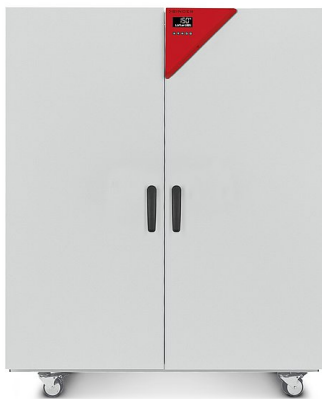


Model BF 720 | Incubators Avantgarde.Line with forced convection

The BINDER incubator of the BF Avantgarde.Line series with forced convection is suitable for all gentle incubation applications, particularly under a full load and large batch throughputs. This incubator is extremely homogeneous and has quick recovery times.

BENEFITS

- Excellent temporal and spatial temperature accuracy
- High process reliability
- 100 °C disinfection routine



MAIN FEATURES

- Temperature range: ambient temperature plus 10 °C to 100 °C
- High temperature accuracy thanks to APT.line™ technology
- Forced convection
- Controller with LCD display
- Electromechanical control of the exhaust air flap
- Inner door made of tempered safety glass
- 2 chrome-plated racks
- Class 3.1 integrated independent temperature safety device (DIN 12880) with visual alarm
- Ergonomic handle design
- USB port for recording data

ORDERING INFORMATION

Interior volume [cu.ft.]	Voltage	Option model	Version	Art.-No.
Model BF 720				
25.9	230 V 1 ph 50/60 Hz	Standard	BF720-230V	9010-0321
	240 V 1 ph 60 Hz	Standard	BF720UL-240V	9010-0322

TECHNICAL DATA

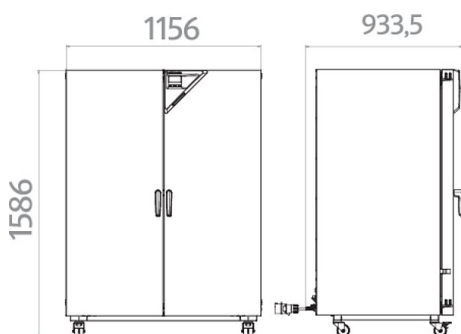
Description	BF720-230V ¹	BF720UL-240V ¹
Article Number	9010-0321	9010-0322
Performance Data Temperature		
Temperature range 10 °C above ambient temperature to [°C]	100	100
Temperature variation at 37 °C [± K]	0.3	0.3
Temperature fluctuation at 37 °C [± K]	0.1	0.1
Heating-up time to 37 °C [min]	15	15
Recovery time after 30 seconds door open at 37 °C [min]	4	4

¹ All technical data is specified for unloaded units with standard equipment at an ambient temperature of +22 °C ±3 °C and a power supply voltage fluctuation of ±10%. The temperature data is determined in accordance to BINDER factory standard following DIN 12880, observing the recommended wall clearances of 10 % of the height, width, and depth of the inner chamber. All indications are average values, typical for units produced in series. We reserve the right to change technical specifications at any time.

Description	BF720-230V ¹	BF720UL-240V ¹
Article Number	9010-0321	9010-0322
Electrical data		
Rated Voltage [V]	230	240
Power frequency [Hz]	50/60	60
Nominal power [kW]	1.75	1.85
Phase (Nominal voltage) [ph]	1	1
Outer dimensions		
Width net [mm]	1165	1165
Height net [mm]	1590	1590
Depth net [mm]	870	870
Wall clearance back [mm]	160	160
Wall clearance sidewise [mm]	100	100
Doors		
Inner doors	2	2
Unit doors	2	2
Internal Dimensions		
Width [mm]	1000	1000
Height [mm]	1300	1300
Depth [mm]	565	565
Measures		
Interior volume [L]	734	734
Net weight of the unit (empty) [kg]	166	166
permitted load [kg]	315	315
Load per rack [kg]	45	45
Environment-specific data		
Energy consumption at 37 °C [Wh/h]	130	130
Sound-pressure level [dB(A)]	43	43
Fixtures		
Number of shelves (std./max.)	2/16	2/16

¹ All technical data is specified for unloaded units with standard equipment at an ambient temperature of +22 °C ±3 °C and a power supply voltage fluctuation of ±10%. The temperature data is determined in accordance to BINDER factory standard following DIN 12880, observing the recommended wall clearances of 10 % of the height, width, and depth of the inner chamber. All indications are average values, typical for units produced in series. We reserve the right to change technical specifications at any time.

DIMENSIONS incl. fittings and connections [mm]



OPTIONS AND ACCESSORIES

Designation	Description	*	Art.-No.
Access port with silicone plug	left		
	10 mm	01	8012-1274
	30 mm	01	8012-1156
	50 mm	01	8012-1164
	right		
	10 mm	01	8012-1267
	30 mm	01	8012-1153
	50 mm	01	8012-1162
	top		
	10 mm	01	8012-1261
	30 mm	01	8012-1150
	50 mm	01	8012-1159
100 mm	01, 10	8012-1166	
Analog output 4-20 mA	for temperature values (output not adjustable)	02	8012-1622
Calibration certificate, expanded	for temperature; for extending the measurement in center of chamber to include another test temperature	-	8012-1111
Calibration certificate, temperature	for temperature, measurement in center of chamber at specified temperature	-	8012-1130
	temperature measurement incl. certificate and 27 measuring points at specified temperature	-	8012-1590
	temperature measurement incl. certificate, 15- 18 measuring points at specified temperature	-	8012-1569
	temperature measurement incl. certificate, 9 measuring points at specified temperature	-	8012-1548
Clock	battery-backed	-	8012-1639
Data Logger Kit	T 220: For continuous temperature logging from -90 °C to 220 °C. The kit includes 1 data logger, Pt 100 sensor with 2 m extension cable and 1 magnetic fixture for mounting to the BINDER unit	19	8012-0715
Data Logger Software	LOG ANALYZE software kit, configuration and evaluation software for all BINDER Data Logger Kits (incl. USB data cable)	19	8012-0821
Door lock	lockable door handle	-	8012-1816
Ethernet interface	for communication software	-	8012-0991
Inner chamber, reinforced	max. total load 350 kg	-	8012-1829
Interior lighting	with two 15 W light bulbs		
	230/240 V option model	-	8012-1823
Interior socket	Waterproof, switched flush-mounting box (CA3GD) for nominal voltage in unit interior, with cover and corresponding plug (nominal voltage; max. 500 W; max. 90 °C; protection class IP67)	07	8012-1638
Load management	to comply with EMC requirements in accordance with EN 61326-1:2013-07 (IEC 61326-1:2012)	-	8012-1820
Overheating alarm	audible, can be switched off, adjustable limit on the independent temperature safety device	-	8012-1634
pH-neutral detergent	concentrated, for gentle remove of residual contaminants; 1 kg	-	1002-0016
Pt 100 temperature sensor	additional flexible Pt 100, interior, for displaying the temperature on the unit display	-	8012-1618
Rack, heavy load	Stainless steel, max. load per rack 70 kg	-	6004-0204
Racks	chrome-plated	-	6004-0171
	stainless steel	-	6004-0155
Shelf, perforated	Stainless steel	-	6004-0187
Software	APT-COM™ communications software		
	version 2 to 3, GLP edition	19	9053-0016
	version 3, BASIC edition	19	9053-0014
	version 3, GLP edition	19	9053-0015
	version 3, STANDARD edition	19	9053-0013
	APT-COM™ communications software, price: for free		
	version 3, GLP DEMO Edition	19	9053-0008

* Notes › See last page

SERVICES

Designation	Description	*	Art.-No.
Installation services			
Installation	and set up of unit at operating location, connect to existing connections	13, 18	DL10-0100
Instruction	unit function instructions for operation and programming of the controller	18	DL10-0400
Preventive maintenance			
Preventive maintenance	Executive of equipment inspection according to maintenance plan	14, 18	DL20-0200
Calibration services			
Calibration temperature incl. certificate	including certificate, one measuring point in center of chamber at specified temperature	14, 16, 17, 18	DL30-0101
Temperature measurement 18 measuring points	including certificate, 18 measuring points at specified temperature	14, 16, 17, 18	DL30-0118
Temperature measurement 27 measuring points	including certificate, 27 measuring points at specified temperature	14, 16, 17, 18	DL30-0127
Temperature measurement 9 measuring points	including certificate, 9 measuring points at specified temperature	14, 16, 17, 18	DL30-0109
Validation services			
Execution of IQ/OQ	in accordance with qualification folder	15, 18, 20	DL40-0100
Execution of IQ/OQ/PQ	in accordance with customer's requirement, price: on request	15, 18	DL44-0500
Qualification folder IQ/OQ	supporting documents for validation performed by customer, consisting of: IQ/OQ checklists, unit schematics, QM certificate in accordance with ISO 9001	15, 18, 20	8012-0871
Qualification folder IQ/OQ/PQ	supporting documents for validation performed by customer, in accordance with customer's requirement, extension of Qualification folder IQ/OQ by chapter PQ	15, 18	8012-0959
Warranty service			
Extension of the warranty from 2 to 3 years	beginning with the date of delivery, wearing parts are not included	-	DL01-7041
Extension of the warranty from 2 to 5 years	beginning with the date of delivery, wearing parts are not included	-	DL01-7042

* Notes › See last page

NOTES

- 01 Condensation may occur in the area around the access port. Access ports may be placed in custom locations for an additional charge.
- 02 UL mark is not granted when this option is used.
- 03 Heat resistant only to max. 200 °C.
- 04 Only available on units rated for 230 V.
- 06 Heating-up time may increase as a result of the lower heat conductivity.
- 07 The additional heat input may affect the temperature behavior.
- 09 Not in conjunction with the optional access port, door with window and interior lighting.
- 10 Not available on 23-liter units.
- 11 Not available on 23- or 53-liter units.
- 12 Only available on units rated for 230 V or 400 V.
- 13 Installation and connections take place at unit location; transport within the company only upon consultation.
- 14 We recommend a BINDER service contract to cover unit inspections, calibrations and validations.
- 15 OQ according to Yellow Paper = completed factory validation documentation of all OQ checklists.
- 16 Sensor calibration is performed in an accredited calibration laboratory.
- 17 Calibration is performed according to the BINDER factory standard.
- 18 Quoted prices do not include travel costs. Please refer to the chapter on BINDER Service for travel costs for your region. Quoted prices for services performed in Switzerland do not include a country-specific added fee (available on request).
- 19 For additional accessories, refer to the Process documentation chapter.
- 20 When ordering IQ/OQ qualification folders and associated IQ/OQ execution on one order, we offer a 15 % discount for the item of the IQ/OQ folder.
When ordering IQ/OQ/PQ qualification folders and associated IQ/OQ/PQ execution on one order, we offer a 15 % discount for the item of the IQ/OQ/PQ folder.