

NORTON



JUMBO 651 HONDA

SPARE PARTS LIST

clipper[®]

1 Spare parts list

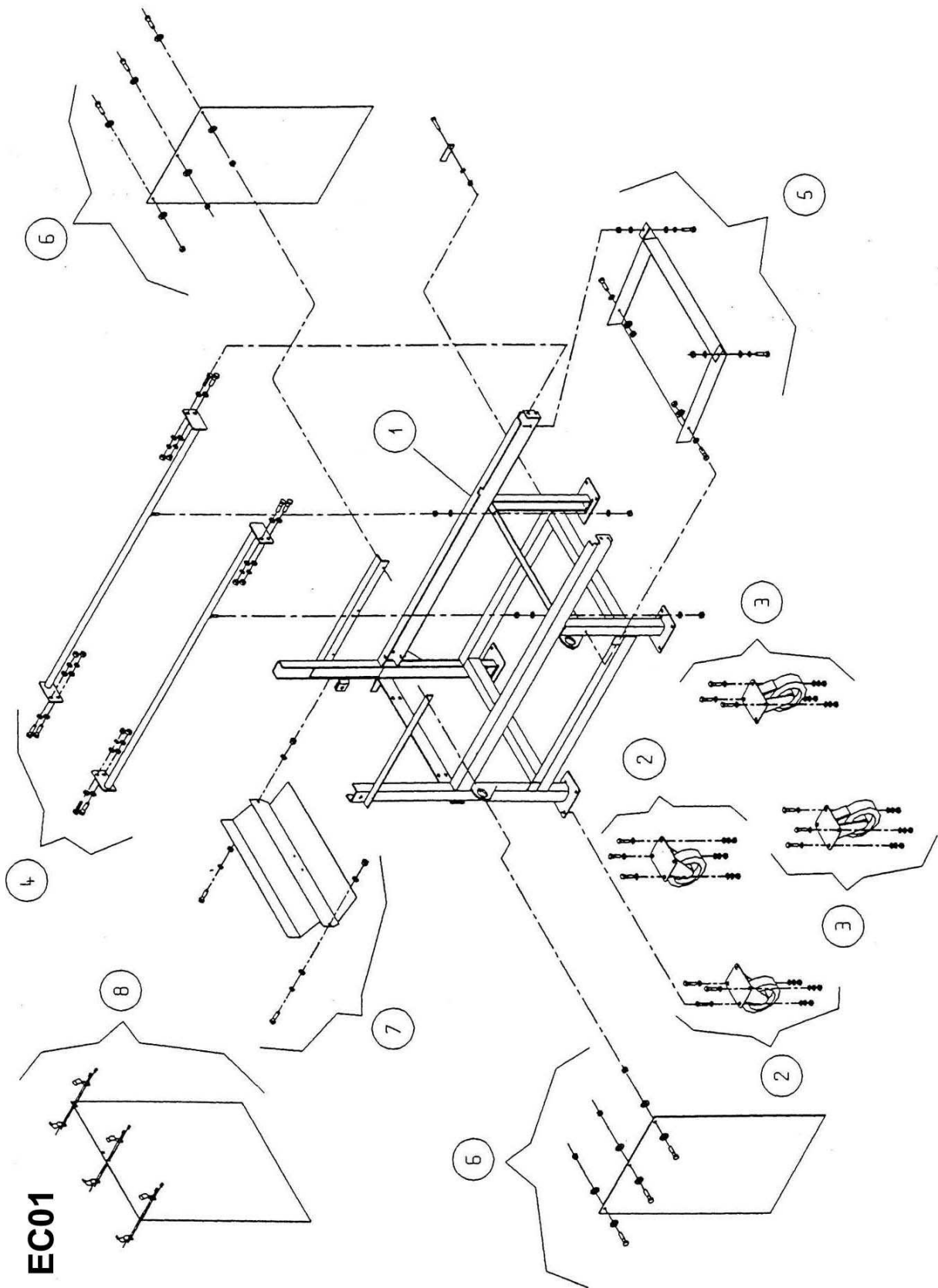
POS.	PAGE	CODE	DENOMINATION	TYP (*)
1	EC01	00310005371	Frame	S
2	EC01	00310005476	Fix wheel	W
3	EC01	00310005477	Pivoting wheel	W
4	EC01	00310002061	Guiding rail (set of 2)	W
5	EC01	00310002249	Water collector (front)	S
6	EC01	00310004491	Water curtains (side) with screws	W
7	EC01	00310005373	Water collector (rear)	S
8	EC01	00310005374	Water curtains (rear)	W
9	EC02	00310005375	Conveyor cart (complete)	S
10	EC02	00310005376	Conveyor cart (welded)	S
11	EC02	00310004483	Guide-a-cut	S
12	EC02	00310004284	Conveyor cart wheel with screws	W
13	EC02	00310002250	Blocking system conveyor cart	S
14	EC02	00310005377	Conveyor cart handle (complete)	S
15	EC03	00310005378	Cutting head welded	S
16	EC03	00310005379	Pivoting axle for cutting head	S
17	EC03	00310002251	Bearing pivoting axle (complete)	W
18	EC03	00310002246	Rings and bearings	W
19	EC03	00310004433	Bearing alone	W
20	EC03	00310005380	Closing Sheet inside	S
21	EC03	00310002252	Clamp (complete)	S
22	EC03	00310004273	Eye screw	S
23	EC03	00310004305	Clamp alone	S
24	EC03	00310005381	Head blocking assembly	S
25	EC03	00310004191	Fixing lever	S
26	EC03	00310005382	Head blocking flat	S
27	EC03	00310004190	Rubber handle 1/2"	S
28	EC04	00310002253	Blade shaft (complete)	S
29	EC04	00310005383	Blade fixing nut	S
30	EC04	00310005384	Flange (mobile)	S
31	EC04	00310005385	Flange (fix)	S
32	EC04	00310005386	Blade shaft (alone)	S
33	EC04	00310005387	Blade shaft bearing	W
34	EC04	00310005388	Blade shaft pulley	S
35	EC04	00310004915	Blade shaft key	S
36	EC04	00310031851	Motor pulley	S
37	EC04	00310005390	Belt set XPA 1457 LW (3 in one set)	W
38	EC04	00310005391	Belt guard support	S
39	EC04	00310005392	Belt guard	S
40	EC04	00310004177	Spanner 36mm	S
41	EC05	00310005397	Blade guard complete	S
42	EC05	00310005398	Blade guard (fix)	S

43	EC05	00310005394	Blade guard (mobile)	S
44	EC05	00310004800	Guard fixation	S
45	EC05	00310005301	Nozzle assembly	W
46	EC05	00310004080	Hose adapter	W
47	EC05	00310004009	Water tap	W
48	EC05	00310002230	Quick adapter	W
49	EC05	00310002247	Plastic nozzle	W
50	EC05	00310004297	Hose adapter	W
51	EC05	00310005399	Water curtain for blade guard	W
52	EC06	00310005395	Waterpan	S
53	EC06	00310005368	Drain plug	S
58	EC06	00310002194	Water-hose	W
63	EC07		Belt tensioner	S
64	EC06	00310305343	Pump pulley	S
65	EC06	00310325956	Mechanical water pump	W
66	EC06	00310004778	Pump clamp	S
67	EC07	00510019395	Motor	S
69	EC07	00310004965	Engine braket	S
70	EC07	00310004028	Emergency stop	S
71	EC07	00310004027	Emergency stop braket	S

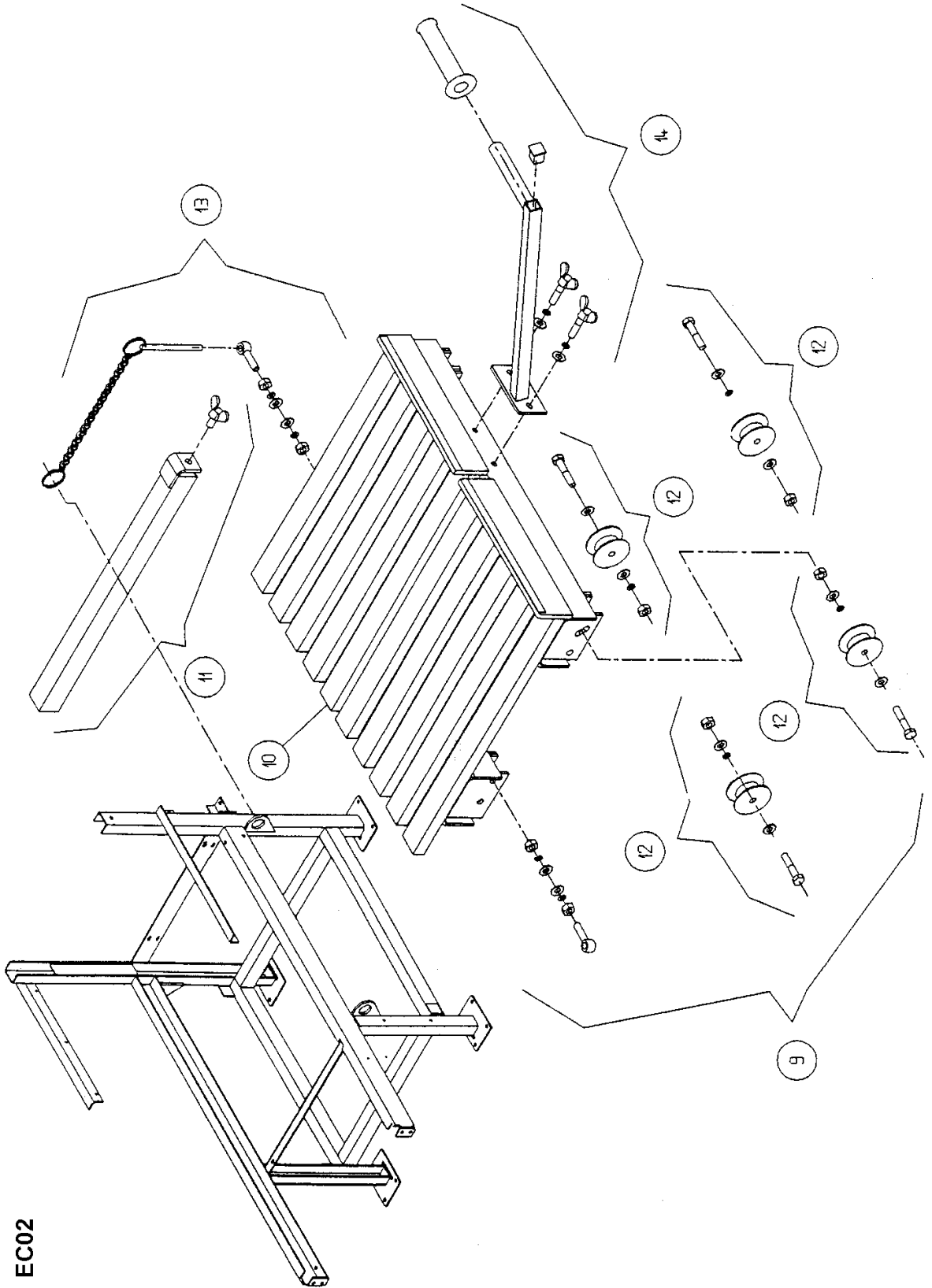
(*): S = Spare part, W = Wear part

Wear parts are worn out through normal use of the machine. The wear period depends a lot on the intensity of use of the machine. Wear parts must be serviced, used and eventually changed following the indications of the manufacturer. Any wear due to normal use of the machine will not be considered as a case of warranty. Genuine Clipper replacement parts should always be used.

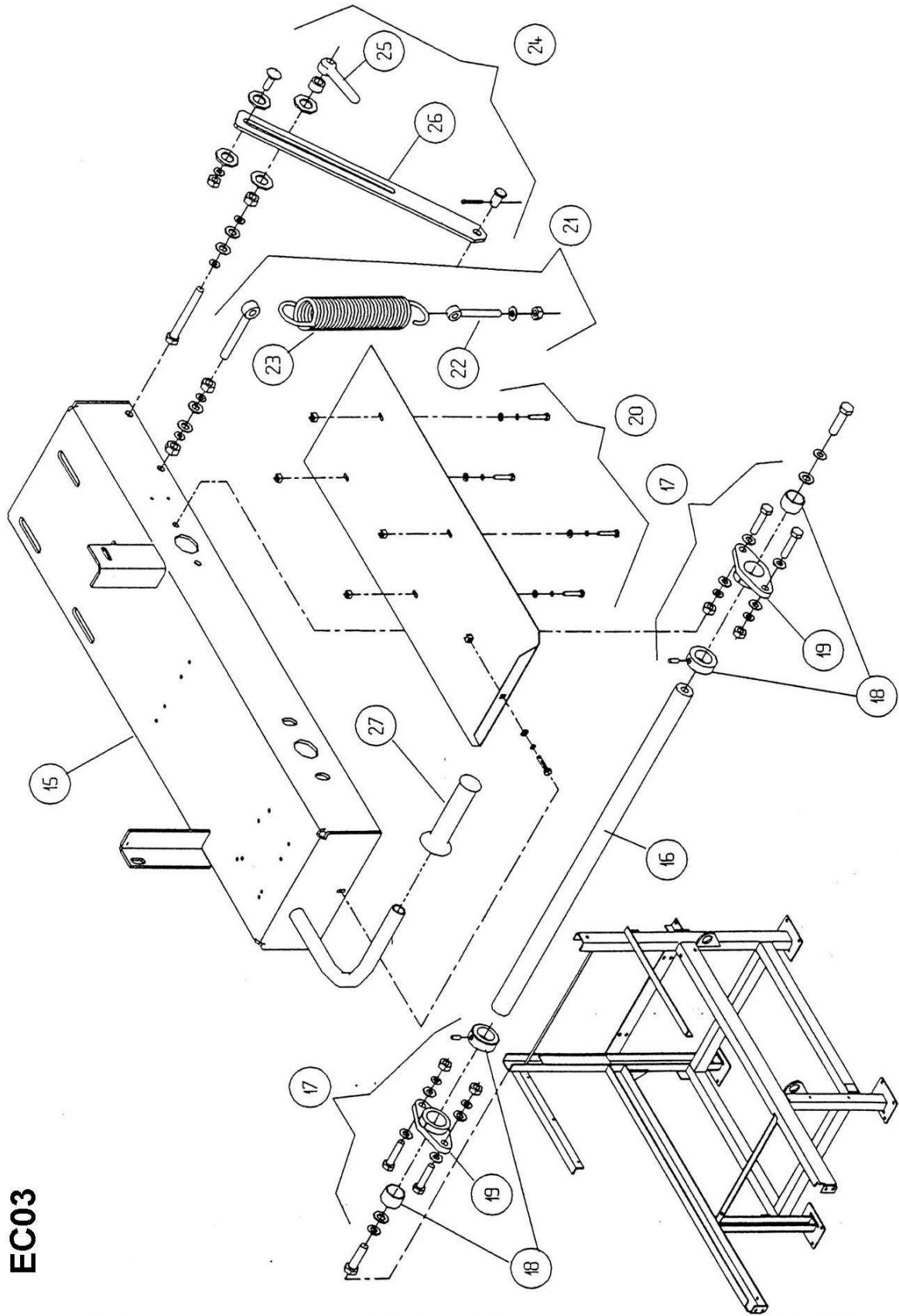
2 Exploded parts drawings



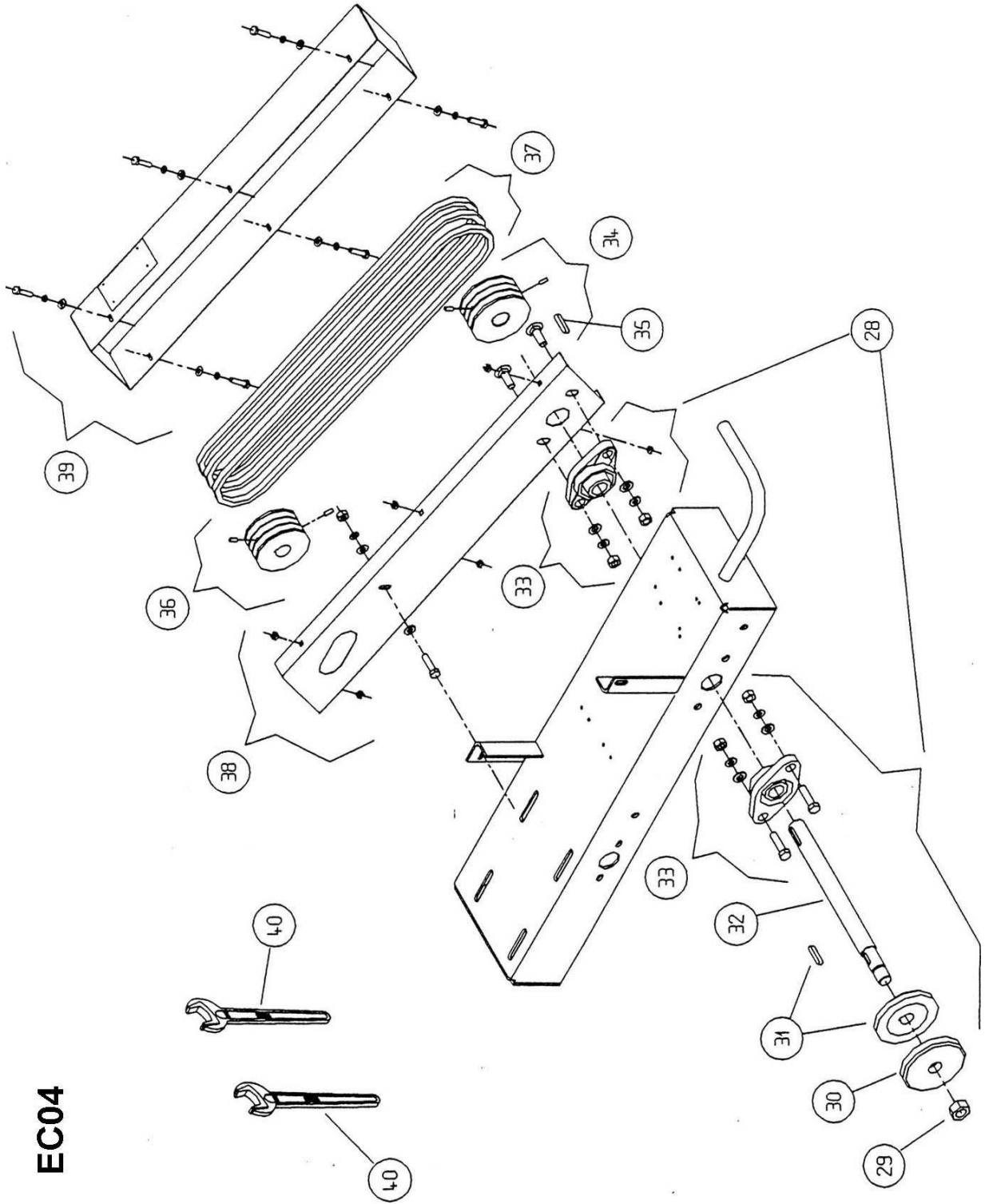
EC02



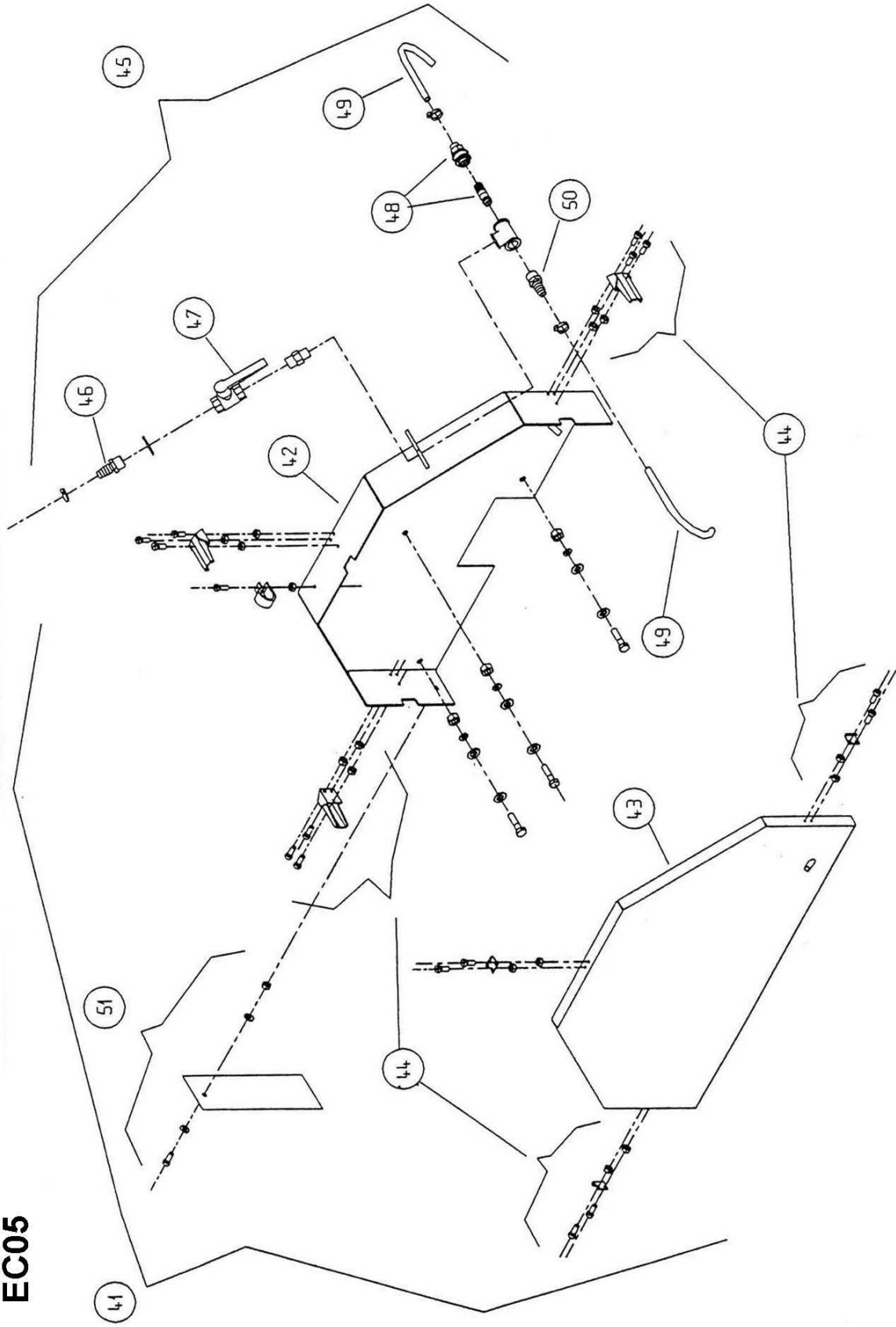
EC03



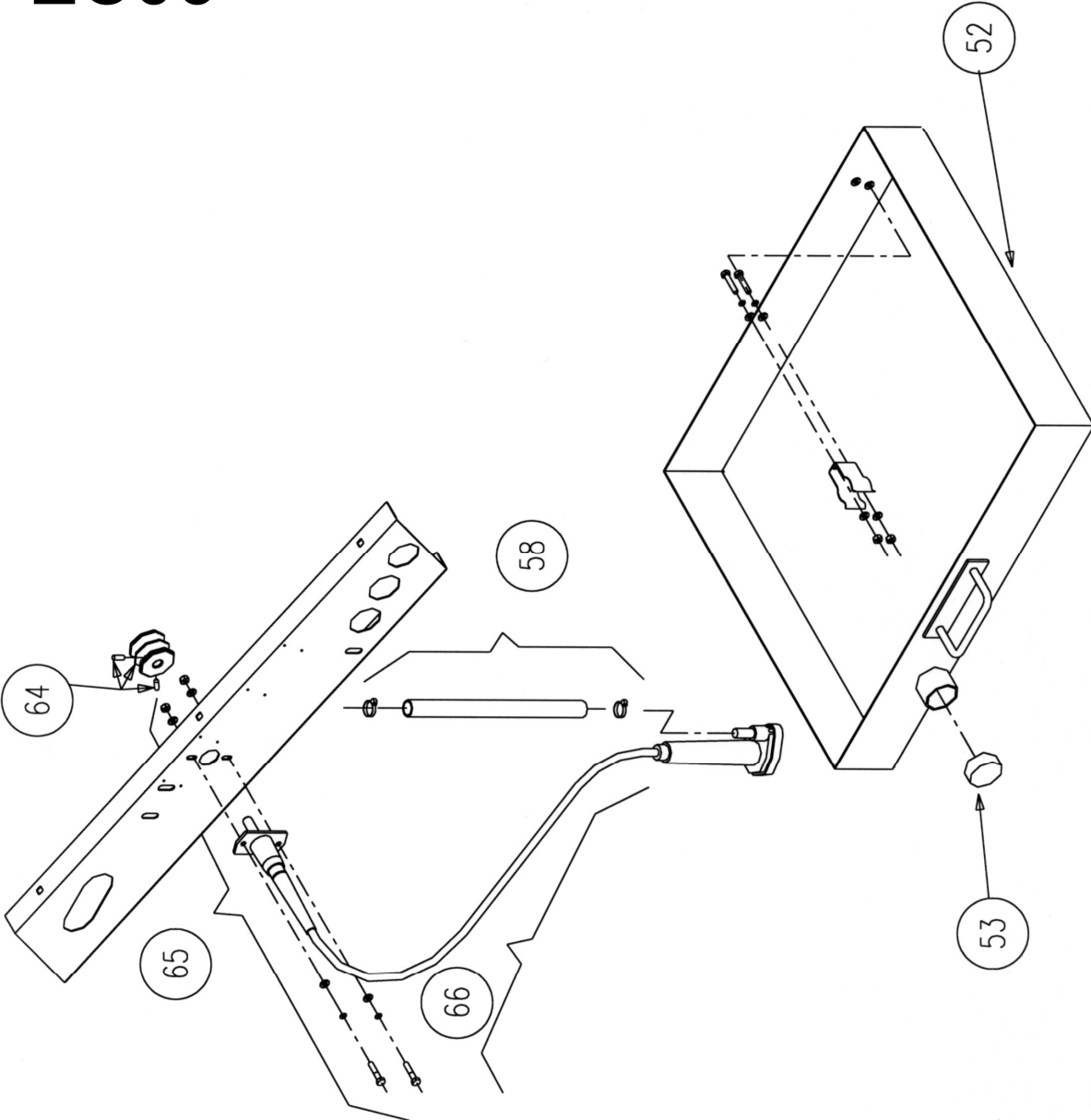
EC04



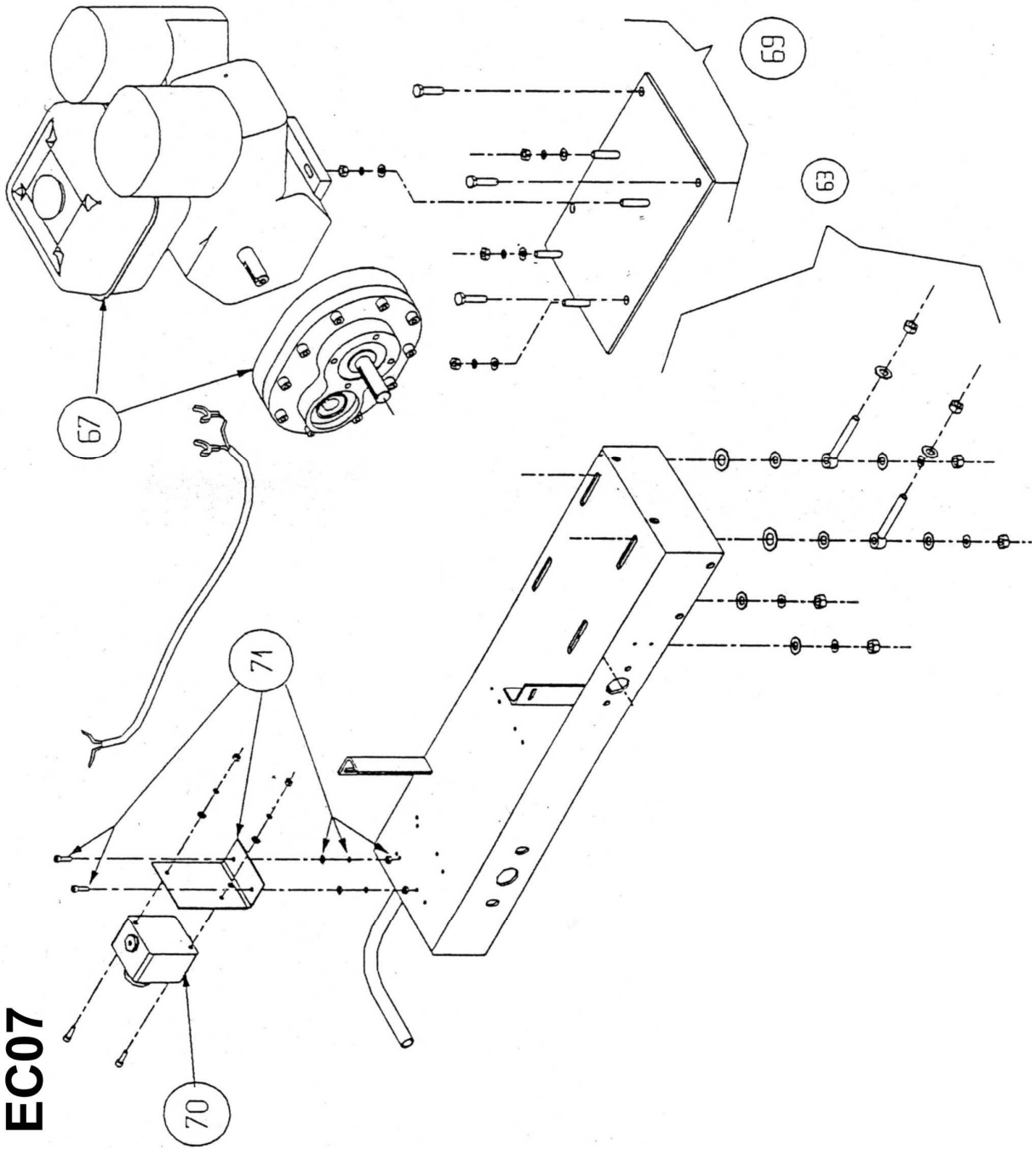
EC05



EC06



EC07





SAINT-GOBAIN ABRASIVES

190, Bd. J. F. Kennedy
L-4930 BASCHARAGE
LUXEMBOURG

Tel.: ++352 50401-1

Fax: ++352 501633

e-mail: sales.nlx@saint-gobain.com

www.construction.norton.eu

04.08.2009