



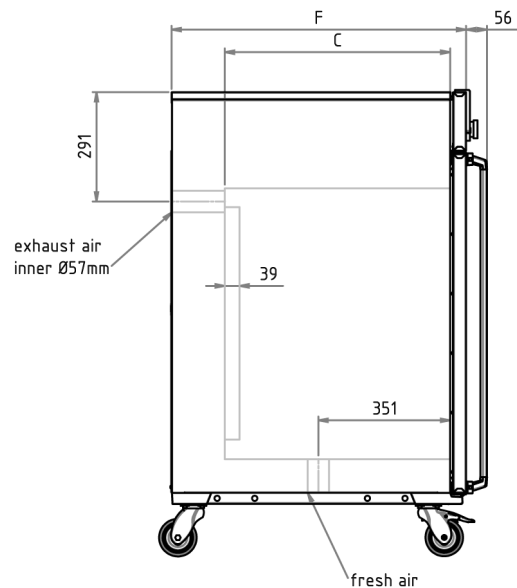
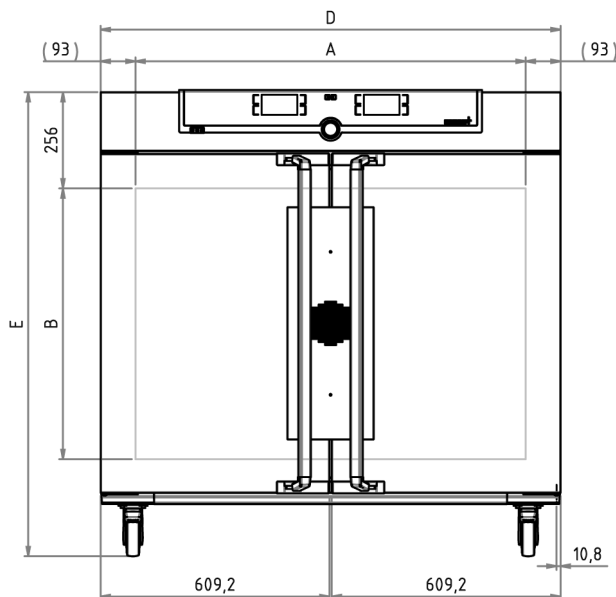
## Universal Oven UN450

Precise drying, heating, ageing, burn-in and hardening in research, science, industry and quality assurance.



The universally applicable lab oven U is Memmert's classic appliance for temperature control in science, research and material tests in industry. The technologically perfected masterpiece made of high-quality, hygienic, easy-to-clean stainless steel leaves nothing to be desired in terms of ventilation and control technology, overtemperature protection and precisely tuned heating technology.

On this page, you can find all the essential technical data on the universal Memmert lab oven. Our customer relations team will be pleased to help if you want further information. If you should require a customised special solution, please contact our technical specialists at [myAtmoSAFE@memmert.com](mailto:myAtmoSAFE@memmert.com).



## Temperature

**Set temperature range in °C** min. 5°C above ambient up to +300°C

**Temperature** 1 Pt100 sensor DIN class A in 4-wire-circuit

## Control technology

**Language setting** German, English, Spanish, French, Polish, Czech, Hungarian

**Control/COCKPIT** SingleDISPLAY. Adaptive multifunctional digital PID-microprocessor controller with high-definition TFT-colour display

**Timer** Digital backwards counter with target time setting, adjustable from 1 minute to 99 days

**Function Setpoint/WAIT** the process time does not start until the set temperature is reached

**Calibration** three freely selectable temperature values

**adjustable parameters** temperature (Celsius or Fahrenheit), air flap position, programme time, time zones, summertime/wintertime

## Ventilation

**Convection** natural convection

**Fresh air admixture** adjustment of pre-heated fresh air admixture by air flap control in 10 % steps

**Vent** vent connection with restrictor flap

## Communication

**Documentation** programme stored in case of power failure

**Programming** AtmoCONTROL software for reading out, managing and organising the data logger via Ethernet interface (temporary trial version can be downloaded). USB stick with AtmoCONTROL software available as accessory (on demand).

## Safety

**Temperature control** adjustable electronic overtemperature monitor and mechanical temperature limiter TB, protection class 1 according to DIN 12880 to switch off the heating approx. 20°C above nominal temperature

**Autodiagnostic system** for fault analysis

## Standard equipment

**Works calibration certificate** Calibration at +160°C

**Door** fully insulated stainless steel doors with 2-point locking (compression door lock)

**Internals** 2 stainless steel grids

### Stainless steel interior

|                                   |   |
|-----------------------------------|---|
| <b>Interior</b>                   | easy-to-clean interior,made of stainless steel, reinforced by deep drawn ribbing with integrated and protected large-area heating on four sides |
| <b>Volume</b>                     | 449 l   |
| <b>Dimensions W x H x D in mm</b> | $w_{(A)} \times h_{(B)} \times d_{(C)}$ : 1040 x 720 x 600 mm   |
| <b>Max. number of internals</b>   | 8   |
| <b>Max. loading of chamber</b>    | 300 kg  |
| <b>Max. loading per internal</b>  | 30 kg   |

### Textured stainless steel casing

|                     |  |
|---------------------|--|
| <b>Installation</b> | on lockable castors  |
| <b>Dimensions</b>   | $w_{(D)} \times h_{(E)} \times d_{(F)}$ : 1224 x 1247 x 784 mm |
| <b>Housing</b>      | rear zinc-plated steel   |

### Electrical data

|                        |                                       |
|------------------------|---------------------------------------|
| <b>Voltage</b>         | 400 V, 3 phases, 50 Hz approx. 5800 W |
| <b>Electrical load</b> |                                       |

### Packing/shipping data

the appliances must be transported upright

|                                       |                                  |
|---------------------------------------|----------------------------------|
| <b>Customs tariff number</b>          | 8419 8998                        |
| <b>Country of origin</b>              | Federal Republic of Germany      |
| <b>WEEE-Reg.-No.</b>                  | DE 66812464                      |
| <b>Dimensions approx incl. carton</b> | B x H x T: 1330 x 1440 x 1050 mm |
| <b>Net weight</b>                     | approx. 161 kg                   |
| <b>Gross weight carton</b>            | approx. 227 kg                   |

Standard units are safety-approved and bear the test marks

