

ML-T Balances



The ML-T Balance Line

Reliable results

Easy operation

Compact and convenient

Big Features Go Compact
Worry-free Weighing

METTLER TOLEDO

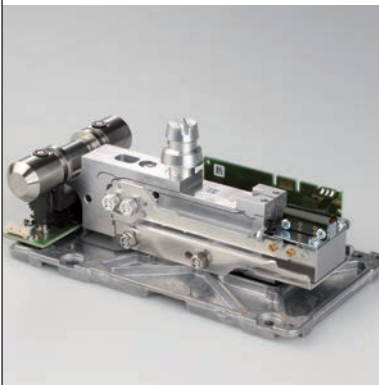
ML-T Balances

Results You Can Rely On

With ever-increasing demands on your time and resources, such as those from ISO, GLP and GMP, you need a balance which can support your everyday tasks and keep you on the right track.

With a high-performance weighing cell, integrated security features and user guidance, ML-T balances give you confidence in your results. You can rest assured that your documentation meets the relevant regulations too – up to 4 ID numbers, the balance serial number and lots more can all be automatically included on your results printout.

Proven weighing cell delivers reliable results



- MonoBloc weighing cell
- FACT automatic internal adjustment
- Overload protection
- Long balance lifetime

Passcodes protect balance settings



- Restrict access to settings
- Avoid accidental alterations
- Metrological performance protected

MinWeigh function ensures measurement accuracy



- Pre-set minimum weight
- User-defined minimum weight
- Red figures indicate net sample weight is too low



The built-in ISO-Log function provides full traceability of all weight relevant adjustments to your balance. All changes made during routine testing or via FACT are logged automatically.

ML-T Balances

Easy for Anyone to Operate

To keep your production processes running smoothly, weighing tasks, during In-Process-Control for example, need to be finished quickly and efficiently. Built-in applications and a straightforward user interface make ML-T balances easy to use, even for untrained operators.

The weighing-in guide helps you dose within tolerances. The large color touchscreen is easy to read and any warnings are clearly indicated in red. Results can be sent directly to a printer, or even wirelessly to your PC, so there is no need for operators to write results down by hand.

Touchscreen display makes weighing easy



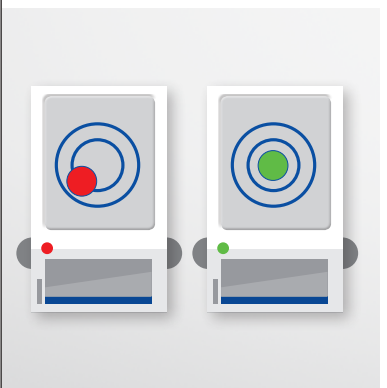
- 4.5" large color TFT display
- Touchscreen operation
- Intuitive interface
- Operable through cotton, silicon or rubber gloves

Multiple interfaces enable easy integration



- Just plug in and start (printer, barcode reader, etc.)
- Built-in RS232, USB device, USB host
- Bluetooth adapter available

Electronic guidance simplifies balance leveling



- Built-in warning function
- On-screen electronic guidance
- Level your balance in seconds



The weighing-in guide at the top of the display helps the operator dose to target. The green screen indicates at a glance that the weighing result lies within the process tolerances.

ML-T Balances

Compact and Convenient

Whether you work in a busy laboratory, or out on the factory floor, space is always at a premium. With the smallest-in-class footprint and larger-than-average weighing pan, ML-T balances give you the room you need to carry out your daily tasks efficiently.

Their compact size and battery operation make it easy to take your ML-T balance to where you need to weigh – ideal for stocktaking or fieldwork. And when you have finished your weighing tasks, ML-T balances are easy to clean and take care of too.

Clever design maximizes working space



- Small footprint – saves bench space
- Large weighing pan – convenient for bulky samples and large containers

Battery operation offers full portability



- Take your balance anywhere
- Up to 150 hours battery run-time
- 8 AA rechargeable batteries and charger included

Easy-cleaning features save time and effort



- Washable parts dismantle in seconds
- No tools needed
- All parts dishwasher-safe
- Balance housing is smooth and easy to clean

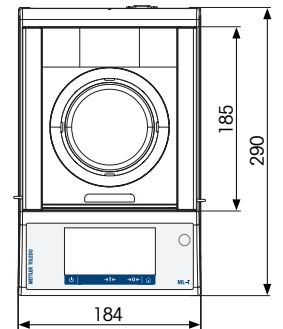
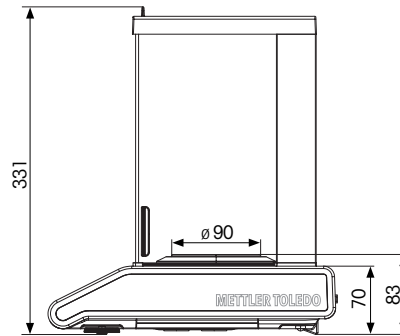


The compact design makes the most of your workspace, giving you the extra space you need to have all your equipment and samples conveniently nearby – especially handy when you have bulky samples or large containers.

ML-T Balances

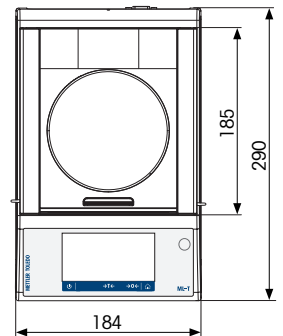
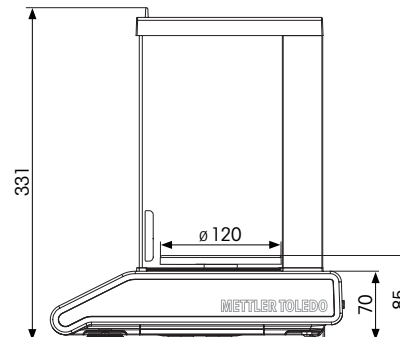
Technical Specifications

ML204T

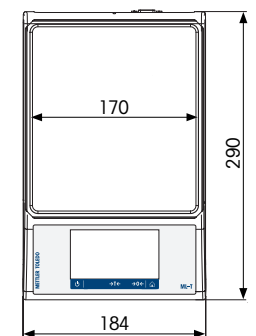
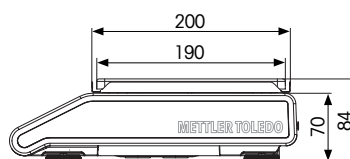


www.mt.com/mlt-analytical

ML503T



ML3002T



www.mt.com/mlt-precision

All dimensions are given in mm.

ML-T Analytical Balances	0.1 mg			
Model	ML54T	ML104T	ML204T	ML304T
Maximum capacity	52 g	120 g	220 g	320 g
Readability	0.1 mg	0.1 mg	0.1 mg	0.1 mg
Repeatability (at nominal load)	0.1 mg	0.1 mg	0.1 mg	0.1 mg
Settling time	2 s	2 s	2 s	2 s
Minimum sample weight (acc. to USP)	120 mg	120 mg	120 mg	120 mg
Minimum sample weight (U=1%, k=2)	12 mg	12 mg	12 mg	12 mg

ML-T Precision Balances	1 mg		
Model	MS203T	ML303T	ML503T
Maximum capacity	220 g	320 g	520 g
Readability	1 mg	1 mg	1 mg
Repeatability (at nominal load)	1 mg	1 mg	1 mg
Settling time	1.5 s	1.5 s	1.5 s
Minimum sample weight (acc. to USP)	1400 mg	1400 mg	1400 mg
Minimum sample weight (U=1%, k=2)	140 mg	140 mg	140 mg

ML-T Precision Balances	0.01 - 0.1 g						
Model	ML802T	ML1602T	ML3002T	ML4002T	ML6002T	ML3001T	ML6001T
Maximum capacity	820 g	1620 g	3200 g	4200 g	6200 g	3200 g	6200 g
Readability	0.01 g	0.01 g	0.01 g	0.01 g	0.01 g	0.1 g	0.1 g
Repeatability (at nominal load)	0.01 g	0.01 g	0.01 g	0.01 g	0.01 g	0.1 g	0.1 g
Settling time	1.5 s	1.5 s	1.5 s	1.5 s	1.5 s	1 s	1 s
Minimum sample weight (acc. to USP)	14 g	14 g	14 g	14 g	14 g	120 g	120 g
Minimum sample weight (U=1%, k=2)	1.4 g	1.4 g	1.4 g	1.4 g	1.4 g	12 g	12 g

Features

Accurate Results	MonoBloc weighing cell
	FACT – fully automatic temperature-controlled internal adjustment
	MinWeigh warning function
	Wind ring for faster settling times
	Metal bottom housing (ABS/PC top housing)
Efficient Operation	4.5" large color TFT touchscreen
	LevelControl function
	Statistics – improved management of weighing data
	Easy cleaning with QuickLock for glass panels
	Extra small footprint
	Overload protection
	Battery operation
Quality Assurance	ISO-Log – records important changes, e.g. adjustments, leveling status
	Up to 4 Sample ID's – avoid confusion between samples and provides traceability
	Passcode protection – only authorized users can make adjustments
Seamless Process	3 interfaces – USB device, USB host and RS232
	Bluetooth option
	PC Direct application for easy data transfer (no software needed)

Make the Most of Your Balance with Clever Accessories

METTLER TOLEDO balances can be customized with accessories and peripheral devices to meet the needs of virtually any application. Our carefully designed accessories make your work easier and more convenient as well as help increase efficiency.

Smooth routine testing



Weights and CarePacs® are perfectly designed for reliable routine testing and adjustment of balances.

Fast density determination



Density determination of solid and liquid samples is easy with this kit for analytical and precision balances.

Easy documentation



The P-5x printers generate fast, high quality printouts on paper, self-adhesive labels and continuous self-adhesive paper (including barcodes).

Protect results from static



The freestanding U-Electrode removes electrostatic charges on samples and containers.

Wireless with Bluetooth



Simply plug in the BT adapter where there is no built-in BT interface to wirelessly send data between your balance and a PC, tablet or printer.

Extra draft shield



The draft shield protects your balance from air currents which may prevent your balance settling e.g. from air conditioning.



Our team of over 5,000 specialists in more than 140 countries worldwide has the knowledge and expertise to satisfy all your service and support needs. Our range of services includes GWP® Recommendation, installation, calibration, training, maintenance, support, repair and GWP® Verification.

Benefit From Our Weighing Expertise

With decades of experience in laboratory weighing, METTLER TOLEDO can offer you a wide range of online learning resources. Take advantage of our know-how and ensure you get the most out of your balance. Check out the documentation on our internet pages for a range of relevant materials.



Videos

Get practical advice in an easy learning format on Laboratory Weighing and Weighing Applications and Solutions. Over 40 videos cover topics such as:

- Easy cleaning
- Density determination

► www.youtube.com/mtlaboratory

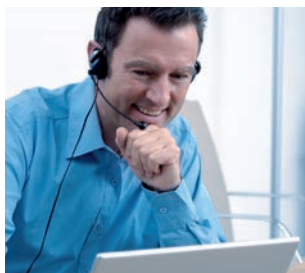


eLearning

Online training is a cost effective way to train new employees and fulfill GLP/GMP/ISO re-training requirements. Get going with:

- Lab Balances – External Influences and Cleaning

► www.mt.com/lab-elearning



On-demand Webinars

Learn directly from our weighing experts and guest speakers. It is easy to register.

For starters, we recommend:

- Minimizing Out-of-Specification Errors
- Good Weighing Practice™

► www.mt.com/webinars

www.mt.com/balances

For more information

Mettler-Toledo AG
Im Langacher 44
8606 Greifensee, Switzerland
Tel. +41-44-944 22 11
Fax +41-44-944 30 60

Subject to technical changes.
© 04/2015 Mettler-Toledo AG
30255083
Global MarCom Switzerland

